

Monitors

Warden 3073 Manual Monitor



SAFETY INDUSTRIES
Pty Limited



Description

The Warden 3073 is an 80mm manual monitor made from cast bronze (LG2, C83600). The monitor hand wheel operated. The hand wheels lock the monitor in position when not in use.

Specifications

Maximum Recommended Flow:	4,500 lpm
Horizontal Rotation:	360°
Vertical Movement:	-60° + 60°
Inlet Connection:	Flanged
Outlet Connection:	65mm BSP Male
Weight (approx):	25 kg

Design Features

To ensure maximum monitor availability for many years this monitor incorporates some key design features:

- Fully enclosed swivels
- Metal balls for swivel races
- All external parts are bronze, brass or stainless steel. No external aluminium or steel components are used, thus minimising any possible corrosion problems.

ORION SAFETY INDUSTRIES PTY LIMITED

A.B.N. 80 002 538 696

Tel (61) 2 9426 7900 26A LYN PARADE PRESTON NSW 2170 FAX (61) 2 8783 5400
AUSTRALIA

Essential to all Warden designs is a clean waterway with no obstructions. This keeps friction losses low as well as minimizes the risk of blockages and having a removable nozzle facilitates rapid clearing of obstructions.

Materials of Construction

Waterway:	Bronze Alloy
Swivels:	Bronze Alloy
Inlet Flange:	Bronze Alloy
Balls:	Brass
Grease Nipples:	316 Stainless Steel
Fasteners:	316 Stainless Steel

Operation

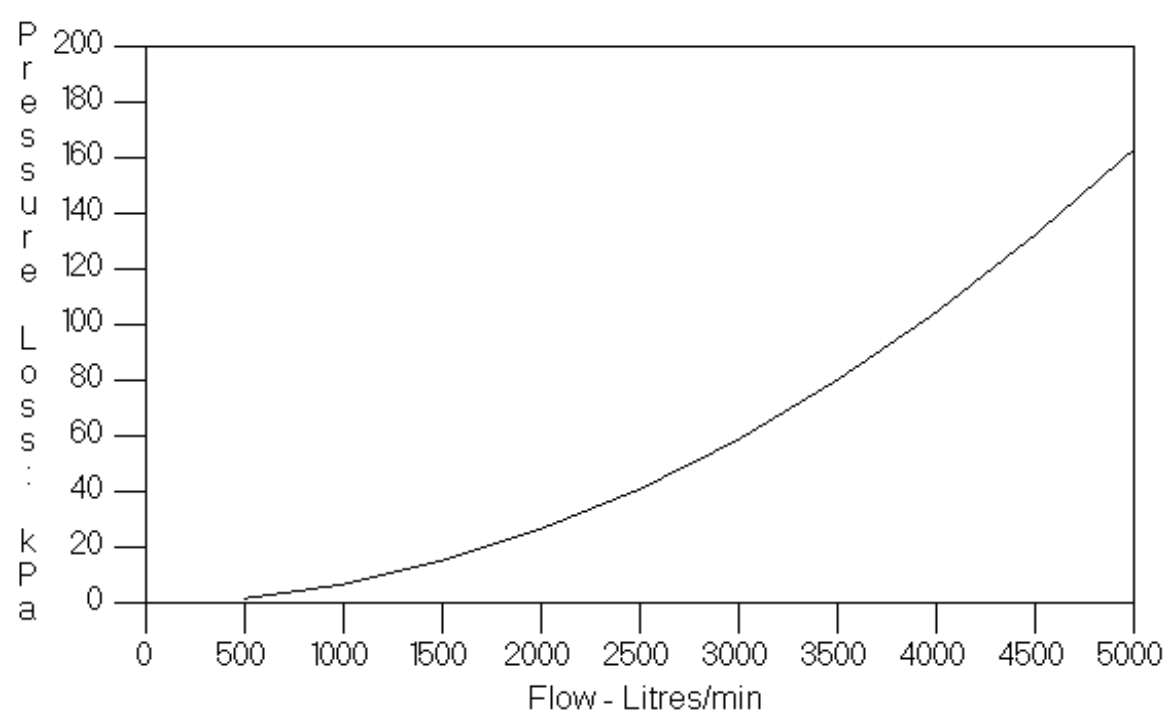
The monitor swivel locks are loosened allowing the monitor to be directed in the desired direction. The swivel locks can be re-engaged to leave the monitor in one position.

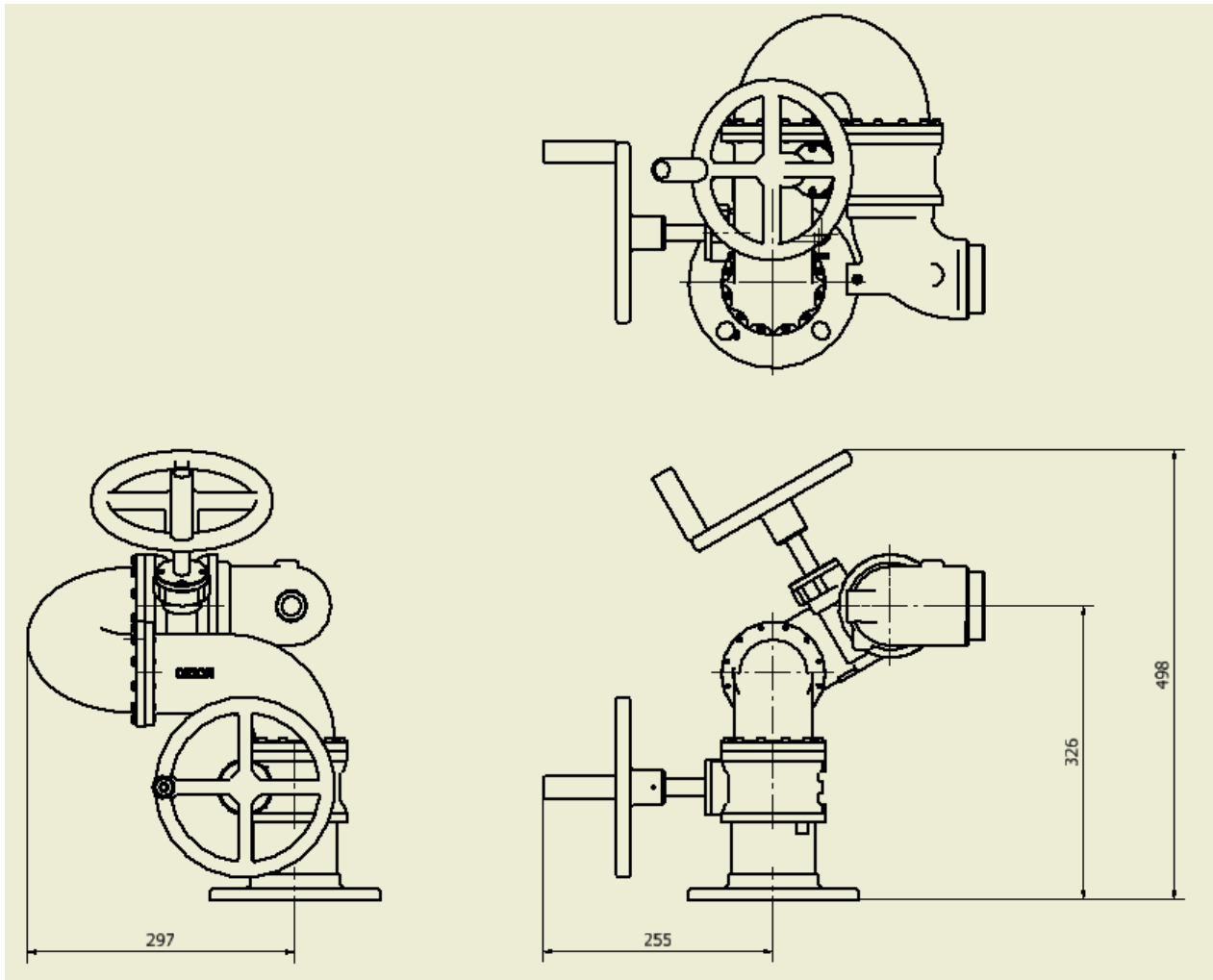
Connections

Inlet: 80mm or 100mm flat-face flange bronze flanges, multi-standard or ASME Class 150 raised face stainless steel flange.
Outlet: 65mm BSP
Multi-standard flanges can be used for Table E and ASME Class 150 connections.

Performance Data

Friction Loss Curve





Part Numbers

Description	Part Number	
	Powder Coat	Marine
Warden 3073 with 80mm FF multi-standard flange	12065	13482
Warden 3073 with 100mm FF multi-standard flange	13670	15478
Warden 3073 with 80mm RF Class 150 316SS flange	14190	
Warden 3073 with 100mm RF Class 150 316SS flange	15149	
Warden 3073 with 80mm RF Gal steel backing flange	14705	13389
Warden 3073 with 100mm RF Gal steel backing flange	16319	12896

Options

These monitors can also be manufactured in a range of alternative bronze alloys including nickel aluminium bronze.

ORION SAFETY INDUSTRIES PTY LIMITED

A.B.N. 80 002 538 696

Tel (61) 2 9426 7900 26A LYN PARADE PRESTON NSW 2170 FAX (61) 2 8783 5400
AUSTRALIA