

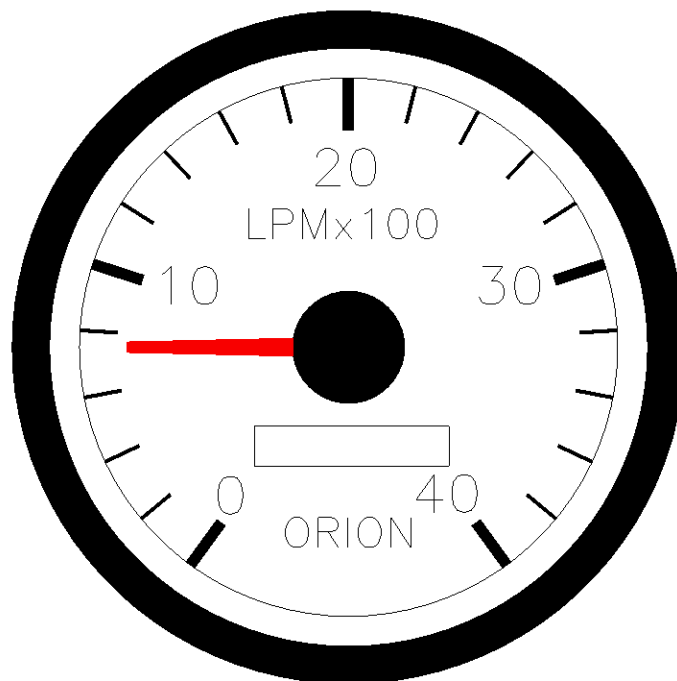
PROFLOW FLOW METER SYSTEM SINGLE PONT FLOW METERING

Description

PROFLOW is a flow meter system for fire appliances. The PROFLOW is available in single point and multipoint configurations. The single point PROFLOW flow meter uses our FTI-25 paddle wheel flow sensor and displays the flow rate on an 85mm analogue display.

The FTI-25 paddle wheel sensor has two major advantages. The sensor uses a stainless steel paddle wheel and the paddle wheel is not magnetised so that metal filings will not attach themselves to the sensor. These two features make the FTI-25 flow sensor both rugged and reliable.

The FTI-25 flow sensor can be supplied fitted to w tee in the 25-40mm sizes. Large pipes use a weld on boss.



The display is 85mm diameter and uses a proven automotive movement for long term reliable service. Standard display ranges are 0-3000 lpm, 0-4000 lpm and 0-8000 lpm. These displays are suitable for pip sizes from 65mm to 150mm.

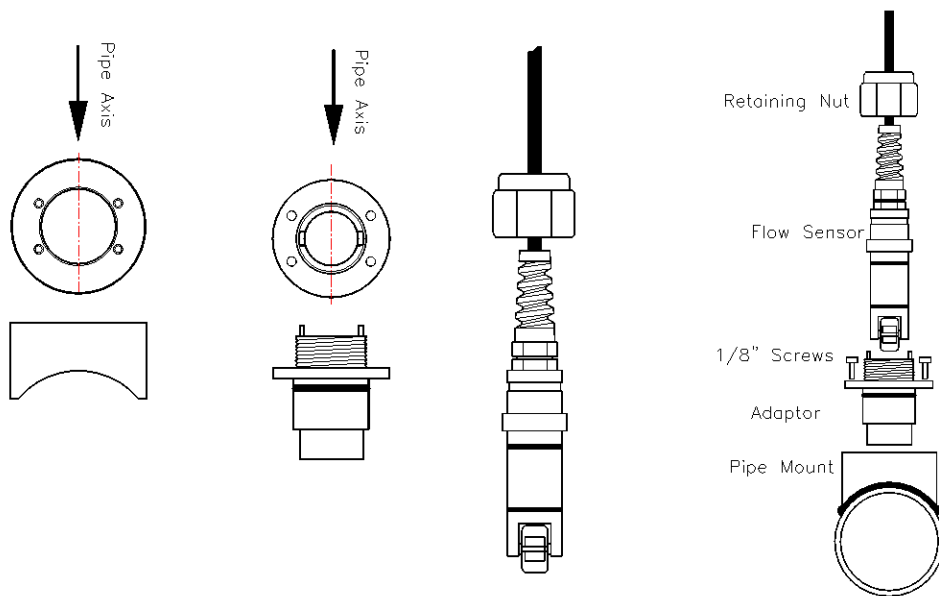
SPECIFICATION

Power Supply	10 – 30 VDC
Pipe size range	25mm – 200mm
Flow sensor type	Paddle Wheel

Flow Metering Ranges

Pipe Diam	Min Flow Litres/Minute	Max Flow Litres/Minute
25mm	18	192
32mm	24	318
40mm	42	480
50mm	72	720
65mm	120	1,260
80mm	180	1,950
100mm	300	3,000
150mm	660	7,380
200mm	1,140	13,200

Bold characters indicate the standard range of meters.



Distributed By:

Orion Safety Industries Pty Limited
Company

A.C.N. 002 538 696

29 Shepherd Street, Liverpool NSW 2170 Australia • Tel: +61 2 9821 2244 • Fax: +61 2 9821 2906

<http://www.orionsafety.com.au> • Email: sales@orionsafety.com.au

An AS/ISO 9001 Quality Assured